



A WORLD LEADER IN FUME EXTRACTION TECHNOLOGY

ILF 300

Last Updated on 12.04.2021



Inline filter delivering a longer life for applications that generate high amounts of dust and particulate.

The BOFA inline pre-filters have been designed specifically for applications that generate high amounts of dust or particulate. The filter unit is positioned alongside the main BOFA fume filtration system to increase the overall filter capacity and extend the life of the main filters. A range of application dependent filter types and configurations are available on request.

Technology



ProTECT service plan



SureCHECK quality standard

Key features of the ILF 300

Extended filter life Standard

Large filtration area Standard

Contact BOFA at <https://bofainternational.com/en/contact/>

<https://bofainternational.com/en/portal/datasheets/ilf-300/>



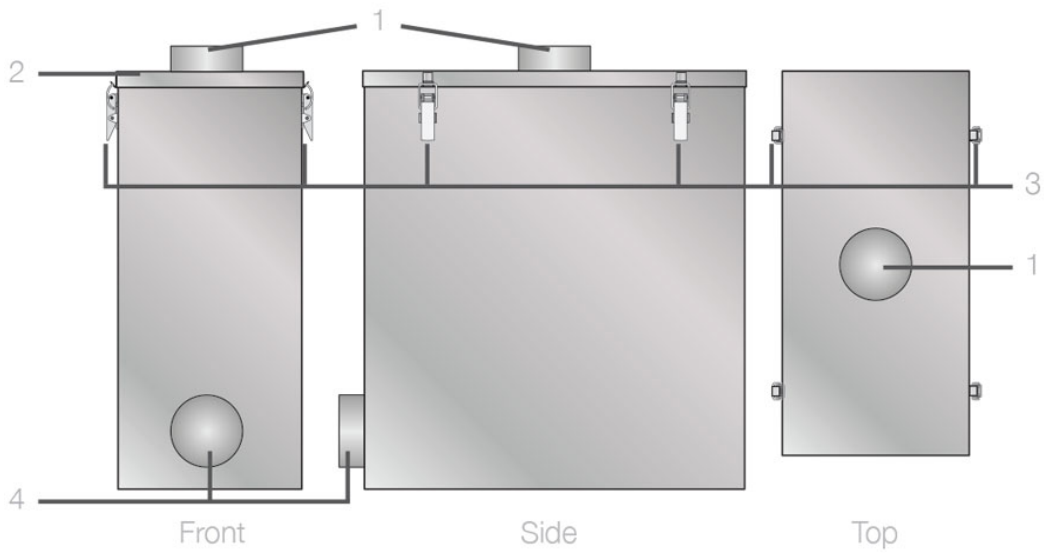
Technical specification

1. Inlet - 125mm

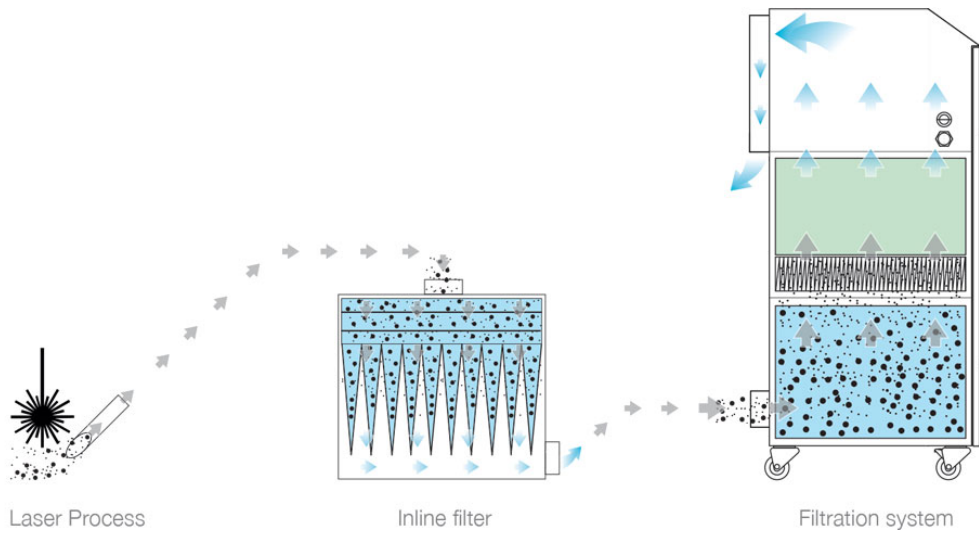
2. Lid

3. Filter compartment hinges

4. Exhaust outlet - 125mm

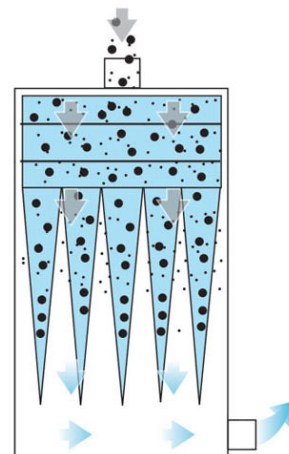


Inline filtration system



Airflow through filters

-  Pre-filter
-  Clean air
-  Contaminated air
-  Particulate



Technical data

| | EU | US |
|----------------------|--------------------|------------------------|
| Dimensions (HxWxD) | 796 x 638 x 328 mm | 31.34 x 25.12 x 12.92" |
| Cabinet construction | Stainless steel | Stainless steel |
| Weight | 27kg | 60lbs |
| Exhaust outlet | 125mm | 4.9" |

Pre-filter (lower grade) specifications

| | |
|---------------------------|-----------------|
| Filter media construction | Bag filter |
| Filter efficiency | 82% @ 1 microns |

Pre-filter (higher grade) specifications

| | |
|---------------------------|-------------------|
| Filter media construction | Pleated filter |
| Filter efficiency | 95% @ 0.9 microns |

Unit part numbers

| Model | Part number |
|--|-------------|
| ILF 300 with a 5 pocket filter, stainless steel - lower grade | A1030069 |
| ILF 300 with a 5 pocket filter, stainless steel - higher grade | A1030436 |

Replacement filter part numbers

| Lower grade pre-filter | Higher grade pre-filter |
|------------------------|-------------------------|
| A1030132 (5 pocket) | A1030290 (5 pocket) |

Other languages

ILF 300
[French](#)

Datasheet correct at time of publishing.

Where applicable, the carbon used in BOFA units is capable of removing a wide range of VOC's, however it is the responsibility of the user to ensure the carbon is suitable for their application. For specific applications, please contact us for details.

Think before you print! Please consider the environment before printing this document.

