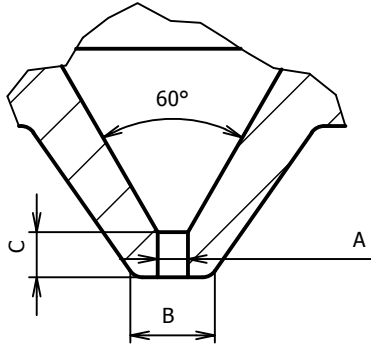
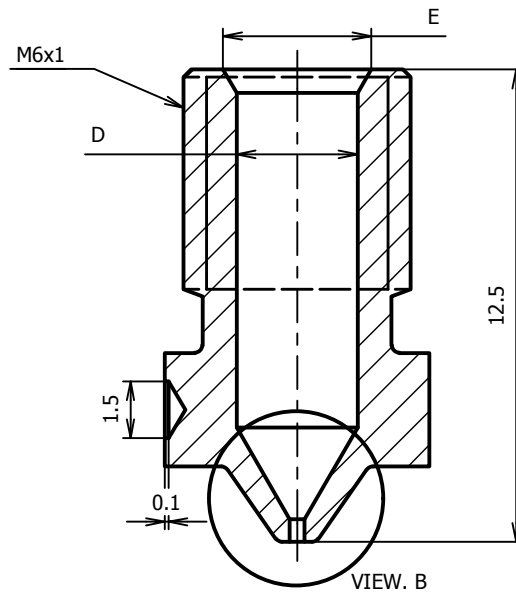


VIEW. B ( 10 : 1 )

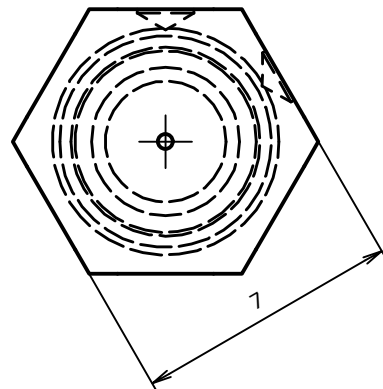
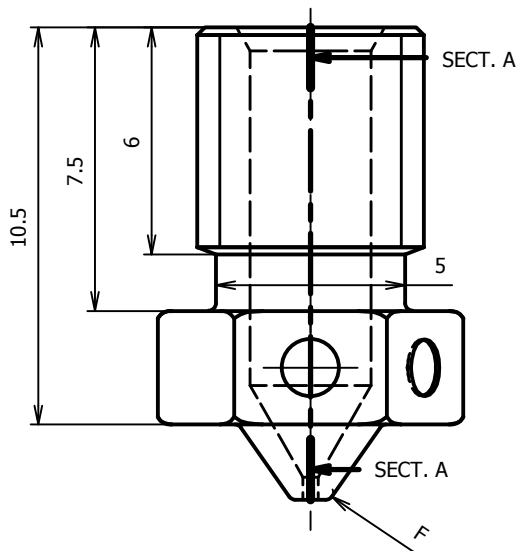


SECT. A-SECT. A ( 5 )





| TABLE             |           |      |       |     |     |      |        |
|-------------------|-----------|------|-------|-----|-----|------|--------|
| SKU               | A         | B    | C     | D   | E   | F    | # Dots |
| V6-NOZZLE-175-150 | 0.15      | 0.30 | 0.18? | 2.0 | 2.6 | 0.10 | ?      |
| V6-NOZZLE-175-250 | 0.25      | 0.63 | 0.38  | 2.0 | 2.6 | 0.10 | 0      |
| V6-NOZZLE-175-300 | 0.30      | 0.75 | 0.45  | 2.0 | 2.6 | 0.10 | 1      |
| V6-NOZZLE-175-350 | 0.35      | 0.88 | 0.53  | 2.0 | 2.6 | 0.15 | 2      |
| V6-NOZZLE-175-400 | 0.40      | 1.00 | 0.60  | 2.0 | 2.6 | 0.20 | 3      |
| V6-NOZZLE-175-500 | 0.50      | 1.25 | 0.90  | 2.0 | 2.6 | 0.20 | 6      |
| V6-NOZZLE-175-600 | 0.60      | 1.50 | 1.20  | 2.0 | 2.6 | 0.25 | 4      |
| V6-NOZZLE-175-800 | 0.80      | 2.00 | 1.60  | 2.0 | 2.6 | 0.30 | 5      |
| V6-NOZZLE-175-000 | UNDRILLED | 1.00 | 0.60  | 2.0 | 2.6 | 0.20 | 0      |
| V6-NOZZLE-300-150 | 0.15      | 0.30 | 0.18? | 3.2 | 3.9 | 0.10 | ?      |
| V6-NOZZLE-300-250 | 0.25      | 0.63 | 0.38  | 3.2 | 3.9 | 0.10 | 0      |
| V6-NOZZLE-300-300 | 0.30      | 0.75 | 0.45  | 3.2 | 3.9 | 0.10 | 1      |
| V6-NOZZLE-300-350 | 0.35      | 0.88 | 0.53  | 3.2 | 3.9 | 0.15 | 2      |
| V6-NOZZLE-300-400 | 0.40      | 1.00 | 0.60  | 3.2 | 3.9 | 0.20 | 3      |
| V6-NOZZLE-300-500 | 0.50      | 1.25 | 0.90  | 3.2 | 3.9 | 0.20 | 6      |
| V6-NOZZLE-300-600 | 0.60      | 1.50 | 1.20  | 3.2 | 3.9 | 0.25 | 4      |
| V6-NOZZLE-300-800 | 0.80      | 2.00 | 1.60  | 3.2 | 3.9 | 0.30 | 5      |
| V6-NOZZLE-300-000 | UNDRILLED | 1.00 | 0.60  | 3.2 | 3.9 | 0.20 | 0      |

THIRD ANGLE PROJECTION  
 ALL DIMENSIONS IN MM  
 MATERIAL: Brass (as v5)  
 SCALE: 5:1  
 SURFACE FINISH: UNFINISHED UNLESS STATED



**Copyright (C) E3D-Online Ltd (e3d-online.com)**

These drawings are free hardware: you can redistribute it and/or modify it under the terms of the GNU General Public License as published by the Free Software Foundation, either version 3 of the License, or (at your option) any later version.

|  |                  |                   |                                   |                                |
|--|------------------|-------------------|-----------------------------------|--------------------------------|
| Designed by<br>E3D Online - JR   | Checked by<br>SM | Approved by<br>SM | Date<br>20/05/2014                | Date<br>24/06/2016             |
|  |                  |                   | E3D-v6 Nozzle Series              |                                |
|  |                  |                   | V6-NOZZLE-(175 300)-([0-8](0 5)0) | Edition<br>8<br>Sheet<br>1 / 1 |